

# 1001-B PRECISION GARDEN SEEDER®

## ASSEMBLY and OPERATING INSTRUCTIONS

**EarthWay®**  
GARDEN

Congratulations on the purchase of this new 1001-B Earthway Precision Garden Seeder. Please contact us if you have any difficulty with assembly or operation of this product. We can be reached via the telephone at 800-294-0671 or 574-848-7491 Monday - Friday 8:30am ~ 4:00pm or visit us online at [www.earthway.com](http://www.earthway.com) The 1001-B comes with **LIFETIME TECHNICAL SUPPORT**, email us at [techsupport@earthway.com](mailto:techsupport@earthway.com).

### HELPFUL HINTS: READ THE DIRECTIONS BEFORE ASSEMBLY

- ☑ This seeder comes partially assembled, requiring you to install the wheels, handle assembly and row marker.
- ☑ Assembly time is approximately 15 minutes with basic hand tools.
- ☑ Clean and dry your seeder thoroughly after each use.

### PRECISION GARDEN SEEDER ~ Assembly

Model 1001-B (Refer to Figure 1, Page 3 for illustration)

#### REAR WHEEL

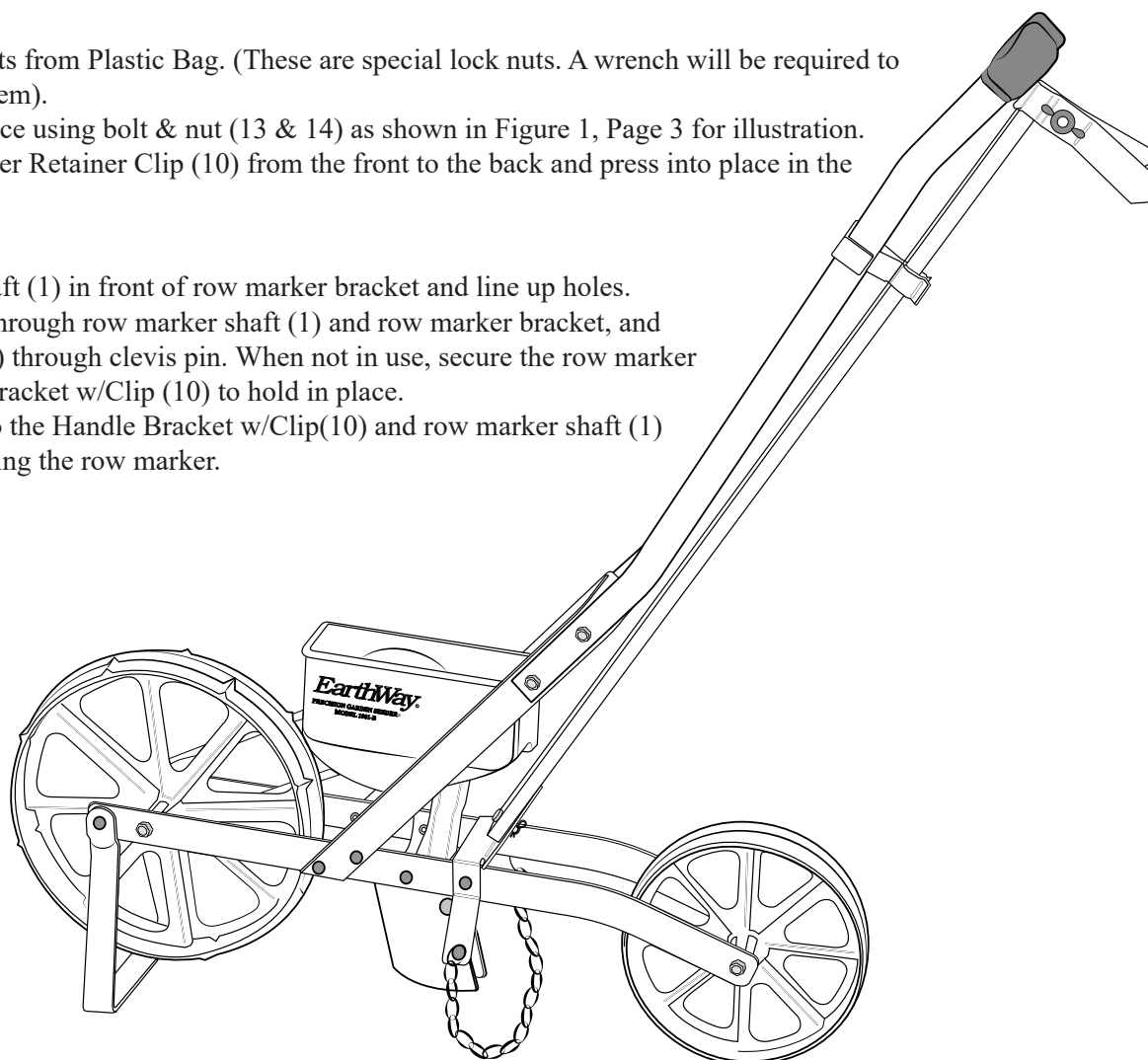
1. Lower kick stand at front to hold planter upright.
2. Remove nut, bolt, and axle (22, 18, & 25) from frame.
3. Insert axle through rear wheel (17), place between frame, and line up with holes in end of frame.
4. Reinstall bolt and nut (18 & 22), and tighten.

#### HANDLE

1. Remove nuts and bolts from Plastic Bag. (These are special lock nuts. A wrench will be required to remove and install them).
2. Bolt handle (8) in place using bolt & nut (13 & 14) as shown in Figure 1, Page 3 for illustration.
3. Install the Row Marker Retainer Clip (10) from the front to the back and press into place in the holes on the handle.

#### ROW MARKER

1. Place row marker shaft (1) in front of row marker bracket and line up holes.
2. Insert clevis pin (7) through row marker shaft (1) and row marker bracket, and insert hair pin clip (6) through clevis pin. When not in use, secure the row marker shaft to the Handle Bracket w/Clip (10) to hold in place.
3. A cord may be tied to the Handle Bracket w/Clip(10) and row marker shaft (1) for lowering and raising the row marker.



# 1001-B PRECISION GARDEN SEEDER

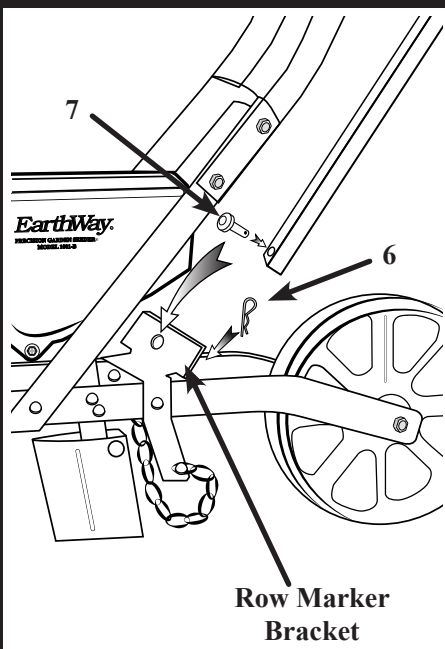
## OPERATION (Refer to Figure 1, Page 3 for illustration)

1. You will find one seed plate in place in the hopper, the rest in the box. **A.** To remove the plate, hold pulley (12) and belt (11) stationary with one hand and rotate the seed plate approximately 1/2" in the "OFF" direction as indicated by an arrow on the seed plate. **B.** Push the seed plate off the hub through the hole just above the pulley. It will slip off easily.
2. To select the desired seed plate, see the SEED PLATE GUIDE if the seed is of similar size and shape as those listed. It is best to experiment before planting. If more distance is desired between seeds, place a piece of masking tape over, or fill with bees wax every other hole or as required in the seed plate.
3. To install the desired seed plate, hold the seed plate at an angle with the bottom against the straight wall in the seed hopper. Line up the slots against the inside of the seed hopper and rotate it approximately 1/2" in the "ON" direction as indicated by the arrow on top of the hopper until the cam action locks the seed plate in place on the hub. Do not force. OFF or ON directions are also indicated on the seed plates.
4. Pour seeds in the seed hopper. **CAUTION:** Do not fill the hopper above the center of the seed plate. **NOTE:** All the seed, especially small seed, will not be picked up by the plates leaving a small amount in the bottom of the hopper. Tilt the seeder to the right as you move down the row to help remove most of the seed if required.
5. Next set the adjustable planting depth with the wedge-shaped ground opener (27) located directly under the hopper. **NOTE:** There are graduations in both inches and millimeters on the front angles of the seed chute. Move ground opener until top edge is in line with desired planting depth. Retighten wing nut after adjustment is made. Check the depth by moving the seeder forward a few inches in soft soil, readjust if necessary.
6. Mark out the first row with string and stakes. Lower the row marker shaft and adjust the row marker to the proper width for the next row. Lift the kick stand over the Front wheel. Be sure the cover chain (16) follows behind the ground opener. You are now ready to plant.
7. To empty any remaining seeds, lower the kick stand and tip the seeder forward until all seeds are removed. **NOTE:** When changing seed plates, be sure the seed hopper is completely empty.

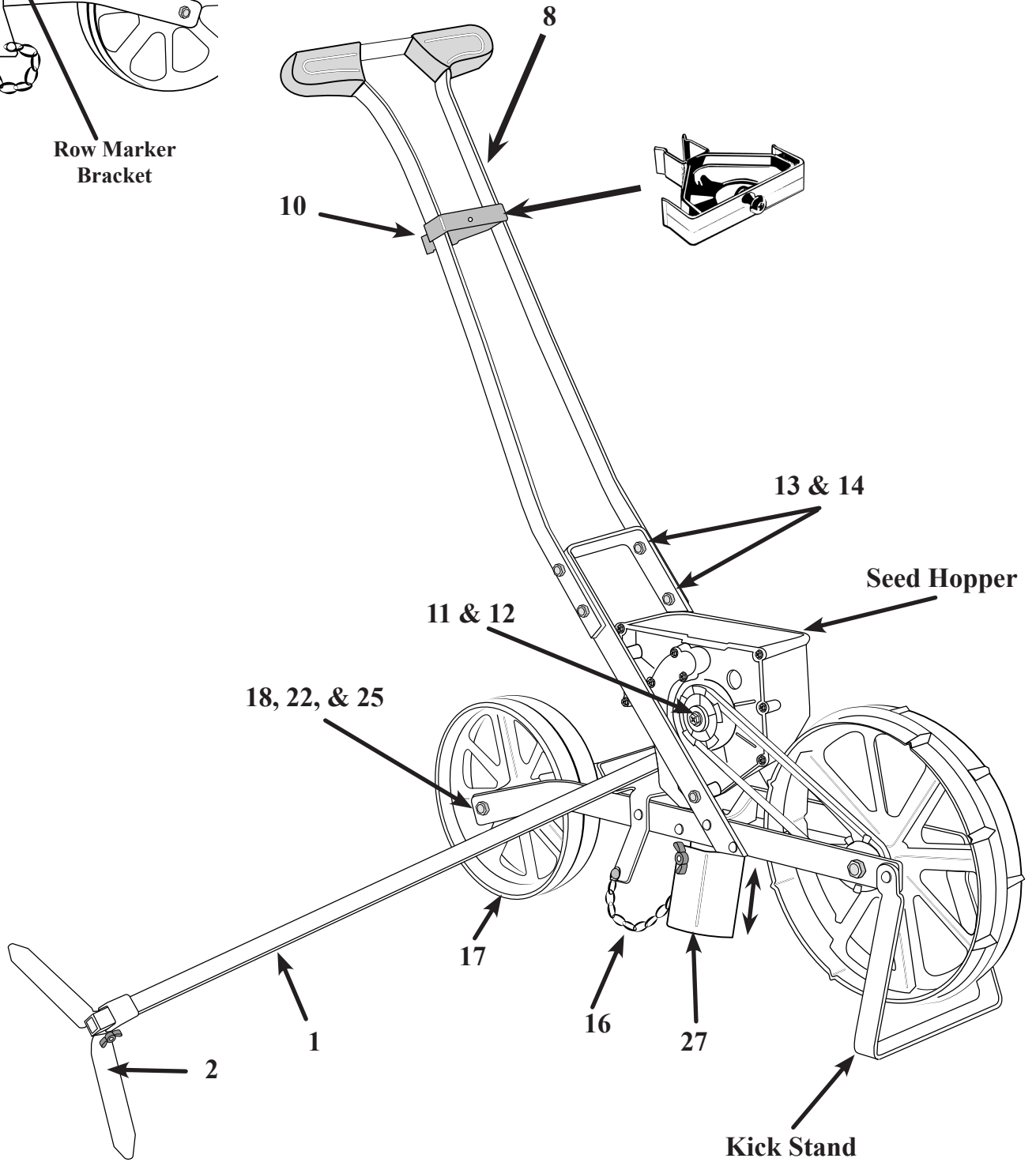
**NOTICE:** Keep your seed hopper clean and free from dust, sand, dirt and seed treating materials.

## MAINTENANCE (Refer to Figure 1, Page 3 for illustration)

1. Any accumulation of dust, dirt, or residue from chemically treated seeds in the seed hopper should be wiped out with a cloth after each use. A build up of dirt may cause the seed plate to stick and seeds to pop out.
2. Under certain conditions static electricity may build up on the seed hopper and interfere with planting fine seeds. If this situation should occur, wash the seed hopper and the seed plate with a mild dish washing detergent, and allow to dry.



**Figure 1**



## Seed Plate Guide

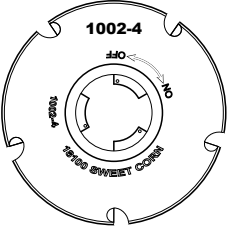
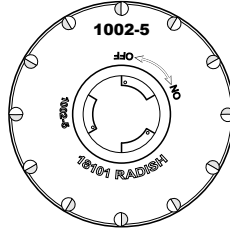
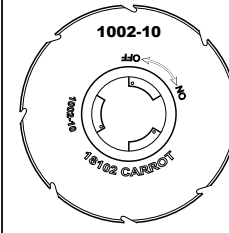
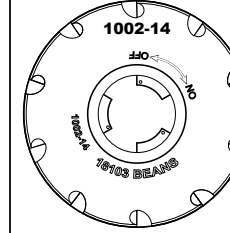
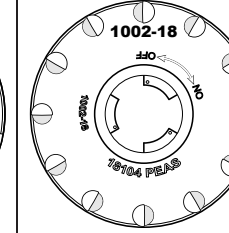
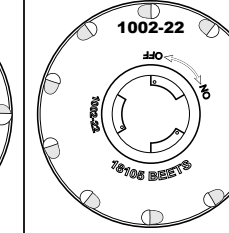
This is a list of all the seed plates currently produced for the 1001-B Precision Garden Seeder.

### Information:

- ☑ The 1001-B Precision Garden Seeder will travel 36<sup>7</sup>/<sub>16</sub> 91.4cm for one revolution of the seed plate.
- ☑ Custom seed fitting can be easily accomplished by partially filling the seed cups of a larger seed plate using bees wax. Spacing changes can be made by filling the seed cup fully with bees wax to get the desired spacing.
- ☑ If you have problems with small seeds getting behind the seed plate, dip the seed plate in soapy water then let air dry. This should solve your problem.

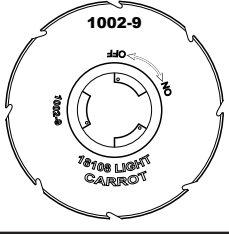
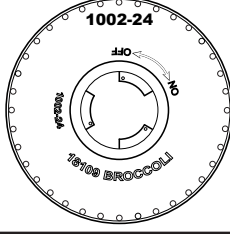
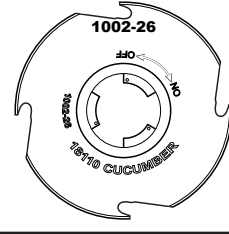
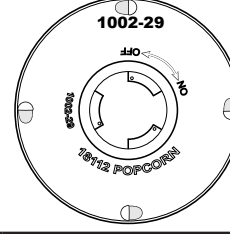
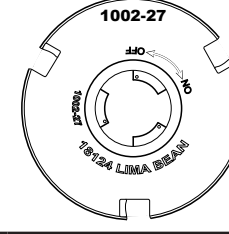
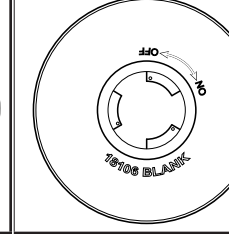
## STANDARD SEED PLATES

Pr. #60009

					
<b>18100 Sweet Corn</b>	<b>18101 Radish</b>	<b>18102 Carrot</b>	<b>18103 Beans</b>	<b>18104 Peas</b>	<b>18105 Beet</b>
7.2" Spacing / 18.3cm	3" Spacing / 7.6cm	4.5" Spacing / 11.4cm	3.6" Spacing / 9.1cm	3" Spacing / 7.6cm	3.6" Spacing / 9.1cm
Will plant most varieties of sweet corn as well as some other larger seed types 0.375" / 9.5mm	Will plant some leek, asparagus, spinach and other fine seeds 0.175" / 4.4mm.	Will plant some lettuce, turnip, endive, cabbage, onions, tomatoes, and other fine seeds 0.125" / 3.2mm.	Will plant some small peas 0.450" / 11.4mm.	Will plant some Jumbo and Early June Peas 0.562" / 14.3mm.	Will plant some Okra, Swiss Chard, and other medium seeds 0.250" / 6.3mm.

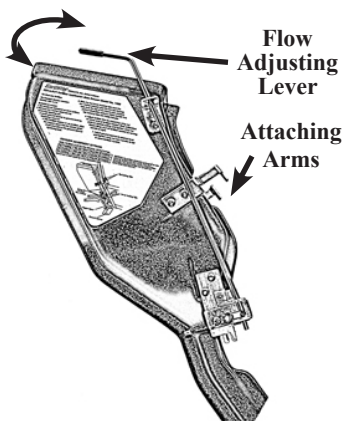
## OPTIONAL SEED PLATES

Pr. #60010

					
<b>18108 Light Carrot</b>	<b>18109 Broccoli</b>	<b>18110 Cucumber</b>	<b>18112 Popcorn</b>	<b>18124 Lima Bean</b>	<b>18106 BLANK PLATE</b>
4.5" Spacing / 11.4cm	1" Spacing / 2.5cm	9" Spacing / 22.9cm	9" Spacing / 22.9cm	12" Spacing / 30.5cm	
Will plant light lettuce, turnip, rutabaga, light cabbage, mustard, kale, and other fine seeds 0.150" / 3.8mm.	Will plant mustard, cabbage, cauliflower, turnip, rutabaga, and other fine seeds 0.100" / 2.5mm.	Will plant some pumpkin, gourds, squash, and other flat seeds 0.312" / 8mm.	Will plant medium sized seeds of a size less than 0.250" / 6.3mm.	Will plant peanuts and other large seeds 0.625" / 15.9mm.	The blank seed plate allows you to make a custom seed plate with spacing and seed size that you determine. <b>NOT INCLUDED IN OPTIONAL SET</b>

## 1500 SIDE-DRESS FERTILIZER ATTACHMENT ~ OPTIONAL ACCESSORY

CANNOT BE USED WITH ROW MARKER IN PLACE.

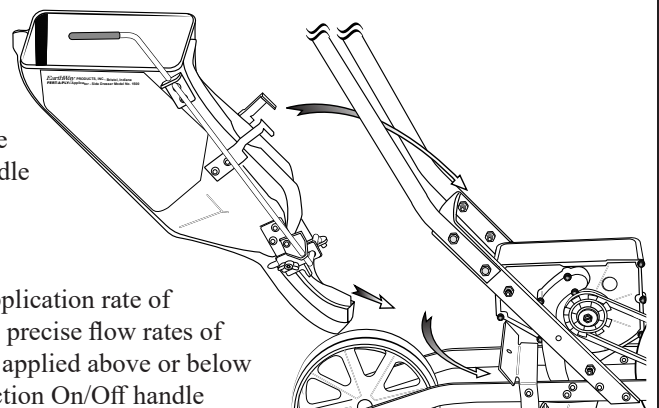


### Attaching

Remove Row Marker assembly (5) by removing Hair Pin Clip (6) and Clevis Pin (7). Slide the 1500 between the handle and lock the Attaching Arms over the Handle Mounting frame.

### Operating Instructions

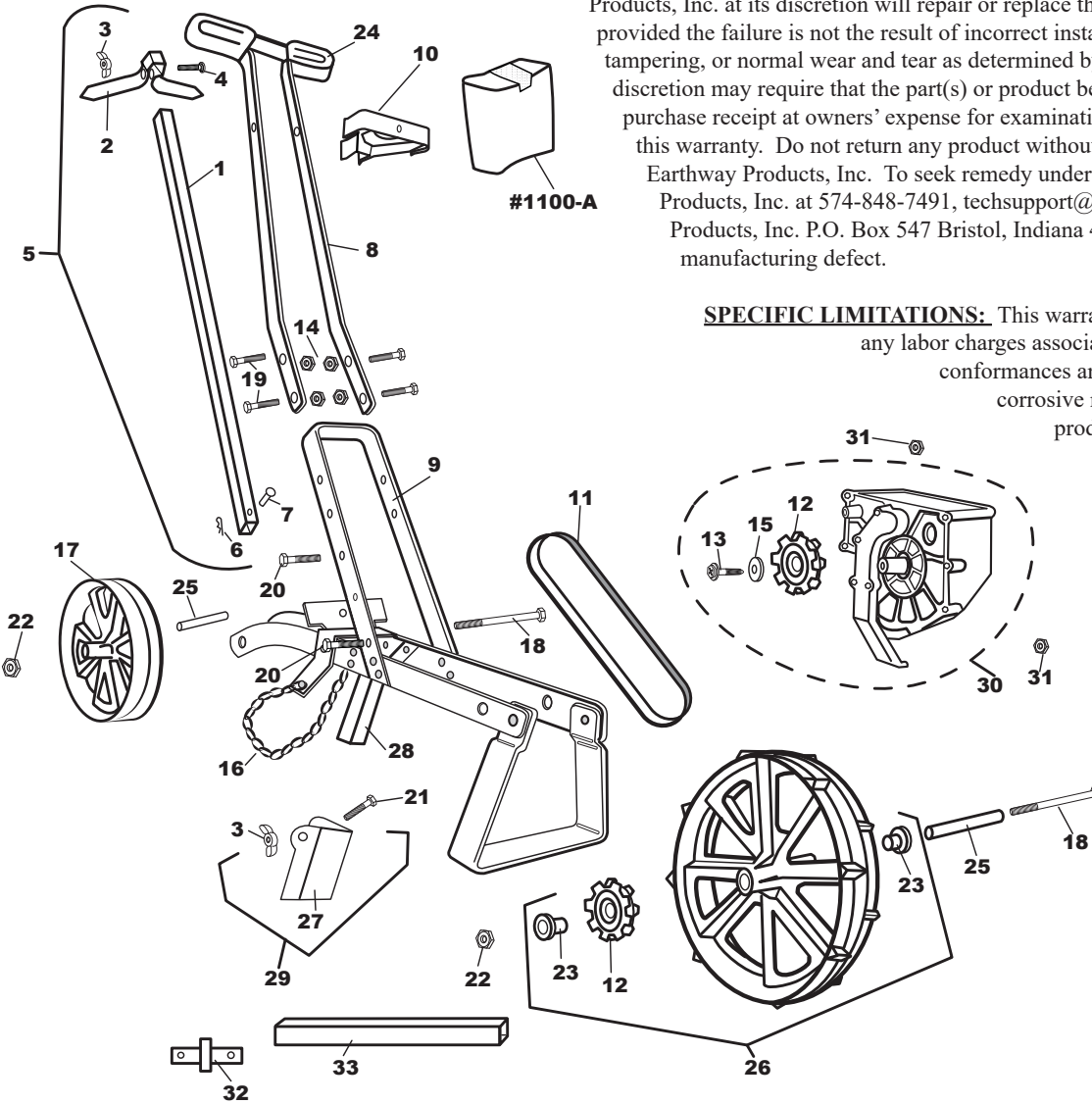
Rotate Flow Adjusting lever to vary the application rate of the fertilizer. Calibrated slide plate allows precise flow rates of all granulated fertilizers. Fertilizer can be applied above or below ground to depth of two inches. Positive action On/Off handle helps eliminate waste. Made from durable weather resistant materials for years of dependable use.



### 5-YEAR LIMITED WARRANTY

Earthway Products, Inc. warrants this product free of defects in original workmanship and materials for a period of 5-Years to the end user with the original dated purchase receipt. If a manufacturing non-conformance is found, Earthway Products, Inc. at its discretion will repair or replace the part(s) or product at no charge provided the failure is not the result of incorrect installation, mishandling, misuse, tampering, or normal wear and tear as determined by Earthway. Earthway at its discretion may require that the part(s) or product be returned along with the original purchase receipt at owners' expense for examination and compliance with the terms of this warranty. Do not return any product without first receiving authorization from Earthway Products, Inc. To seek remedy under this warranty, contact Earthway Products, Inc. at 574-848-7491, techsupport@earthway.com or write to Earthway Products, Inc. P.O. Box 547 Bristol, Indiana 46507 and describe the nature of the manufacturing defect.

**SPECIFIC LIMITATIONS:** This warranty covers only the part(s) or product; any labor charges associated with repair or replacement of non-conformances are specifically excluded. Due to the corrosive nature of most fertilizers and ice melt products, Earthway Products, Inc. makes no warranty against and specifically excludes part(s) or product degradation or failure due to corrosion or its effects. Clean and dry your seeder thoroughly after each use, as a preventative measure, coat all metal parts with a light oil or silicon spray.



Earthway Products, Inc.  
 P.O. Box 547  
 Bristol, IN 46507  
 Phone: 800-294-0671/574-848-7491  
 www.earthway.com

### 1001-B Parts List

Key	Part	Description	Key	Part	Description	Part	Description
1	22606	ROW MARKER SHAFT (1001-B)	18	31102	5/16-18 X 4 1/4" HHCS ZINC	18100	SWEET CORN SEED PLATE
2	41228	ROW MARKER (1001-B)	19	31101	1/4-20 X 3/4" HHMS ZINC	18101	RADISH SEED PLATE
3	60027	WING NUT ASS'Y BLACK	20	31100	1/4-20 X 1 1/2 HHMS ZINC	18102	CARROT SEED PLATE
4	37100	1/4-20 X 1" CARRIAGE BOLT ZINC	21	37101	1/4-20 X 1 1/2" CARRIAGE BOLT ZINC	18103	BEAN SEED PLATE
5	60012	ROW MARKER ASSEMBLY	22	32102	5/16-18 HEX NUT ZINC	18104	PEA SEED PLATE
6	33100	HAIR PIN CLIP ZINC (#213)	23	12132	BEARING (1001-B)	18105	BEEET SEED PLATE
7	12133	CLEVIS PIN (1001-B)	24	19110	SEEDER GRIP (1001-B) BLACK PVC	18106	<b>OPTIONAL</b> BLANK SEED PLATE
8	60011	HANDLE ASS'Y (1001-B)	25	23500	AXLE (1001-B)	18108	<b>OPTIONAL</b> LIGHT CARROT
9	60013	FRAME ASSEMBLY 1001-B	26	12102	FRONT WHEEL 1001-B includes #12131 & (2) 12132	18109	<b>OPTIONAL</b> BROCCOLI SEED PLATE
10	12105	HANDLE BRACKET W/CLIP (1001-B)	27	48300	GROUND OPENER (1001-B)	18110	<b>OPTIONAL</b> CUCUMBER SEED PLATE
11	19109	GARDEN SEEDER SQ BELT	28	48301	SEED CHUTE (1001-B)	18112	<b>OPTIONAL</b> POPCORN SEED PLATE
12	12131	PULLEY (1001-B)	29	60015	GROUND OPENER ASSEMBLY	18124	<b>OPTIONAL</b> LIMA BEAN SEED PLATE
13	31148	#10 X 1" TYPE A PHPS BLACK	30	60017	HOPPER ASSEMBLY 1001-B	1500	<b>OPTIONAL</b> FERT-A-PLY
14	32103	1/4-20 NYLON INS LOCKNUT ZINC	31	32100	1/4-20 HEX NUT ZINC	60009	<b>OPTIONAL</b> STD SEED PLATE SET
15	43024	HUB WASHER (1001-B)	32	12106	<b>OPTIONAL</b> SHAFT EXTENSION ADAPTER	60010	<b>OPTIONAL</b> SEED PLATE SET
16	70104	#6 SINGLE JACK CHAIN	33	22610	<b>OPTIONAL</b> SHAFT EXTENSION (12 IN)	1100-A	<b>OPTIONAL</b> SEED PLATE STORAGE CASE
17	12101	REAR WHEEL (1001-B)					



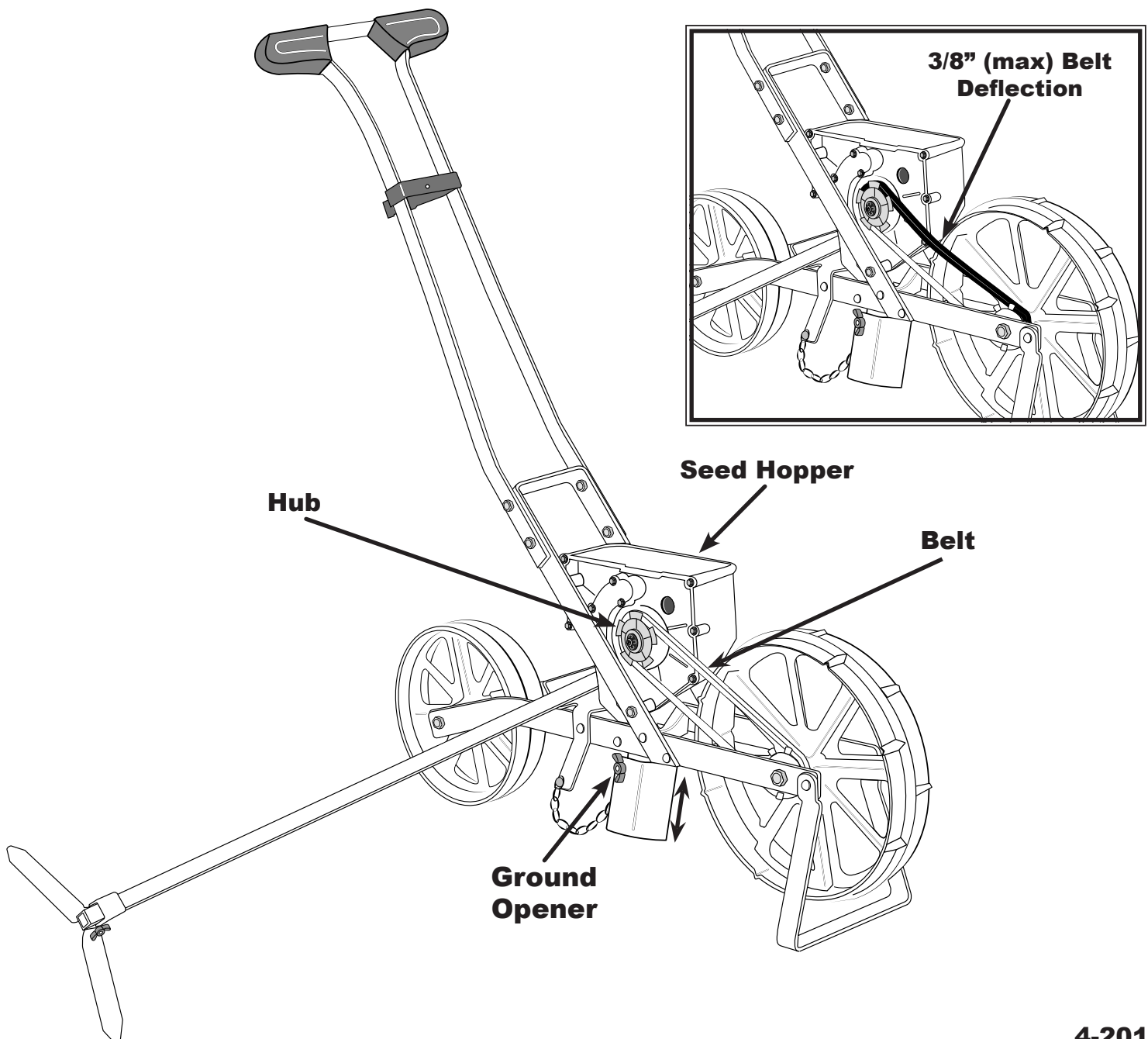
# 1001-B PRECISION GARDEN SEEDER®

## SPRING TUNE-UP Tips

**EarthWay®**  
GARDEN

Now is the time to evaluate your 1001-B to ensure that it's ready for spring planting. Below are some things to check. If a part is damaged or worn-out, you can purchase repair parts online at [www.earthway.com](http://www.earthway.com)

1. Check that the **Belt** is tight and doesn't slip - with no more than 3/8" of deflection pushing down on the top of the belt as shown below right.
2. Check to ensure that the **Hub** (the belt attachment at the seed hopper) is tight and turns smoothly.
3. If the seeds stick to the hopper, wash the hopper and seed plates with dish detergent - do not rinse, and allow to dry.
4. Review the seeds that you wish to plant and match up the seed plate for each seed. Some customization with **Bees Wax** may be required to eliminate double seed planting. *See next page for customization tips.*



# Custom seed fitting

Custom seed fitting can be easily accomplished by partially filling the seed cups of a larger seed plate using bees wax\*. Also, spacing changes can be made by filling the seed cup fully with bees wax to get the desired spacing. \* Bees wax is preferred because of its strength and durability over normal paraffin wax.

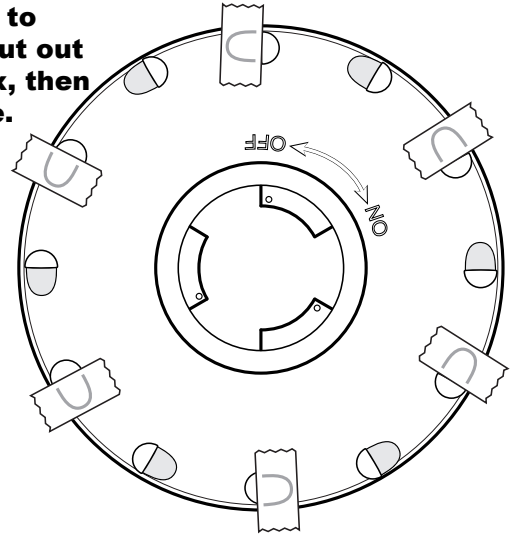
When melting bees wax use **EXTREME CAUTION** to prevent burns or fires.



**STEP 1:** On the front face of the seed plate cover each cup with masking tape making sure to press the masking tape down to completely cover and seal the cup and cut-out on the seed plate. Do not fold the masking tape on to the back of the seed plate as it will cause problems in **STEP 5**. Shown at the right.

**ONE REVOLUTION OF THE SEED PLATE IS 36" ON THE GROUND**

**Use masking tape to cover seed cup and cut out before filling with wax, then remove the tape.**



**STEP 2:** Turn seed plate over. Now on the back of the seed plate, place the selected seed in the center of the cup so that it is stuck to the masking tape (if possible).

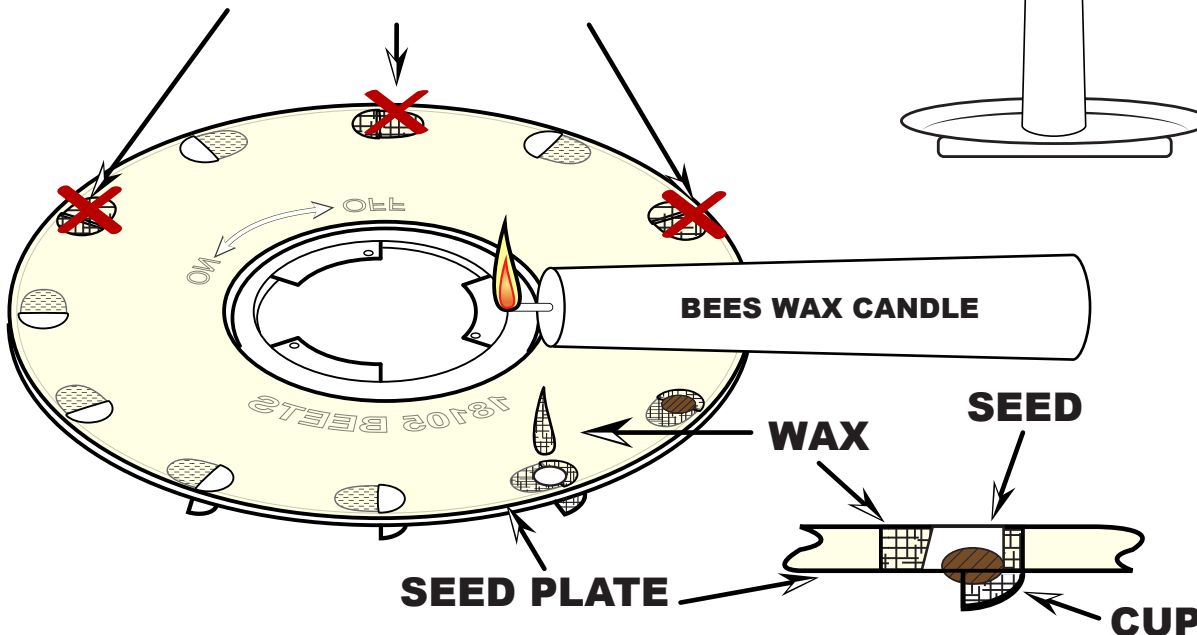
**STEP 3:** Next, carefully drip wax into the cup and cut-out area around the seed until the area is filled level with the top of the seed plate. Repeat on the remaining cups and allow to cool.

**STEP 4:** Remove the seeds from the seed plate cups. Using a knife or pointed object and carefully trim the excess wax from the back of the seed plate, remove any fragments of wax from the hole that was left by the seed. **TIP: Using a all steel stick pin, insert the pin into the eraser on the end of a pencil and then heat the head of the pin over a candle and use to carve by melting the wax.**

**STEP 5:** Turn seed plate over and place the seed plate on a flat hard surface. Now remove the masking tape from the front of the seed plate cups and remove any wax fragments from the hole that was left by the seed.

## BACKSIDE OF THE SEED PLATE

**TO CHANGE SPACING  
FILL EVERY OTHER CUP  
WITH WAX AND THEN SMOOTH**

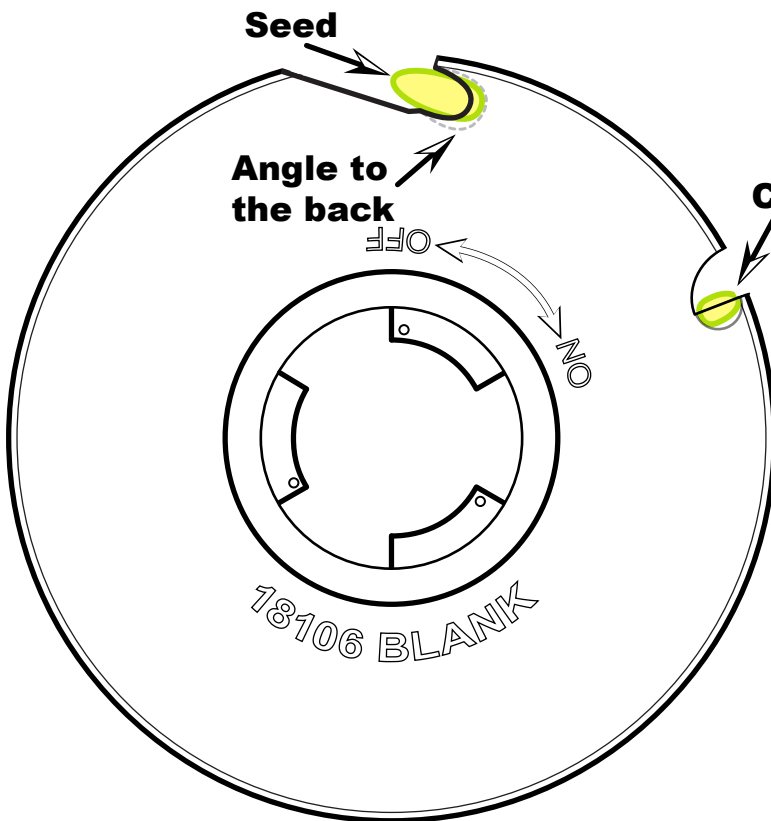


**TIP:**

## **Blank seed plate construction:**

The 18106 Blank seed plate can be used to produce a custom plate at home. You will need to be able to use a small file or grinder to “carve” the cups into the plastic plate, or in some cases, use epoxy or auto body filler to create a cup on the blank plate for larger seeds. To finalize the custom fit from the previous page, we recommend using melted bee’s wax inside the “cup” to get the perfect seed fit; it’s easier to work with using a heated pin head than it is a small grinder.

If you have any questions, please call 800-294-0671 or email [sales@earthway.com](mailto:sales@earthway.com).



**#1. Make a slot  
in the seed plate**



**#2. Make a cup with epoxy or  
auto body filler larger than the  
seed you wish to plant. Customize  
the final fit with bee’s wax.**

**TIP: Cover a tin foil ball with  
plastic wrap (and some paste wax)  
and then cover the ball with epoxy  
or body filler to create a small cup.**

